

Technical data sheet

Insulated air-termination rod for inner-routed isCon conductor

Item number: 5408868



- For installation of the OBO isCon® Pro+ conductor in the pipe
- For mounting on the building structure with isFang support
- Suitable for wind loads according to Eurocode 1: DIN EN 1991-1-4
- Inclusive connection element (type isCon IN connect)
- Inclusive potential connection (type isCon In PAE)
- Aluminium standpipe and air-termination tip
- Centre section made of fibre-glass reinforced plastic (GRP)



GFK Fibre-glass-reinforced plastic

Master data

Item number	5408868
Type	isFang IN 8000
Description 1	Insulated interception rod
Description 2	for isCon conductor, internal
Manufacturer	OBO
Dimension	8000mm
Material	Fibre-glass-reinforced plastic
Smallest sales unit	1
Unit of quantity	Piece
Weight	1315 kg
Weight unit	kg/100 pc.

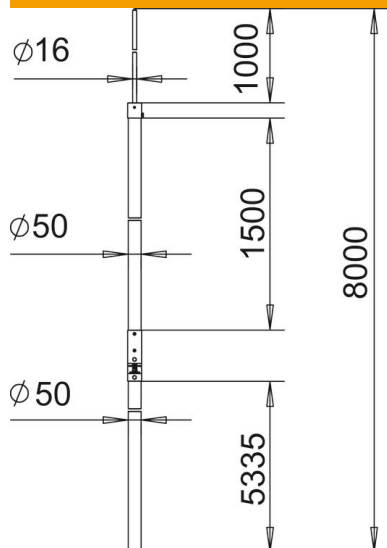
Technical data sheet

Insulated air-termination rod for inner-routed isCon conductor

Item number: 5408868



Dimensions



Length	8,000 mm
Dimension A	5,335 mm
Dimension B	1,000 mm
Dimension d min.	50 mm
Dimension H	1,500 mm
Dimension L	8,000 mm

Technical data

Connection	Round conductor
Version for	Air-termination rod
High voltage-resistant, insulated version	yes