

# Technical data sheet

## Separating retainer 110 FS

Item number: 6062122



Separating retainer for separation of cables of different voltages or functions.



**St** Steel

**FS** Strip galvanized

### Master data

Item number	6062122
Type	TSG 110 FS
Description 1	Barrier strip
Description 2	for cable support systems
Manufacturer	OBO
Dimension	110x2995
Material	Steel
Surface	Strip galvanized
Surface standard	DIN EN 10346
Smallest sales unit	3
Unit of quantity	Metre
Weight	85 kg
Weight unit	kg/100 m

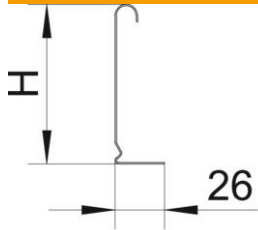
# Technical data sheet

## Separating retainer 110 FS

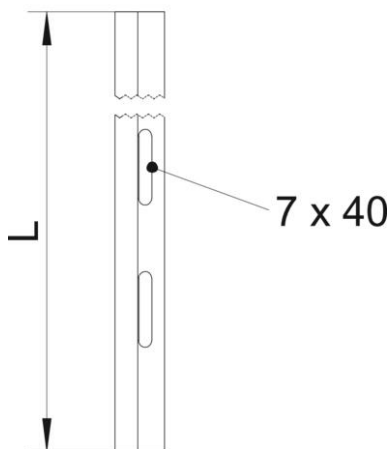
Item number: 6062122



### Dimensions



Length	3,000 mm
Length	10 ft
Height	110 mm
Height	4 in
Plate thickness	0.75 mm
Dimension H (Inch)	4 in
Dimension H	110 mm
Dimension L	118 ft
Dimension L	3,000 mm



### Technical data

Version for	L profile
Fastening type	Screw-on
Fastening perforation (ETIM)	no
Maintain electrical functions	no
Suitable for mesh cable tray	yes
Suitable for cable ladder	yes
Suitable for cable tray	yes
Rustproof steel, pickled	no