

# Technical data sheet

## Serrated washer DIN 6798 G



Item number: 3404129

Serrated washer to DIN 6798, shape A.

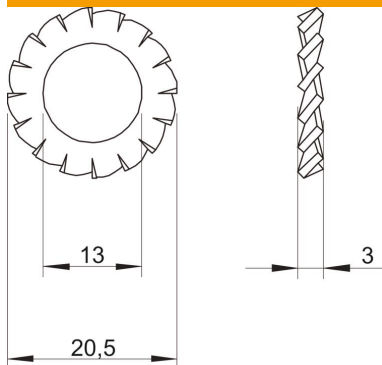


St	Steel
G	Electrogalvanized

### Master data

Item number	3404129
Type	SWS M12 G
Description 1	Serrated washer
Manufacturer	OBO
Dimension	M12
Material	Steel
Surface	Electrogalvanized
Surface standard	EN ISO 19598 / EN ISO 4042
Smallest sales unit	100
Unit of quantity	Piece
Weight	0.16 kg
Weight unit	kg/100 pc.

### Dimensions



Height	3 mm
Plate thickness	0.12 in
Dimension D	0.81 in
Dimension d	0.51 in
Dimension d	13 mm
Dimension d max.	20.5 mm
Dimension d min.	20.5 mm
Dimension h	3 mm

# Technical data sheet

Serrated washer DIN 6798 G

Item number: 3404129



## Technical data

Thread	M12
Inner diameter	0.51 mm
Lock washer version	Open external gearing