

# Technical data sheet

## Serrated washer DIN 6798 G



Item number: 3404102

Serrated washer to DIN 6798, shape A.

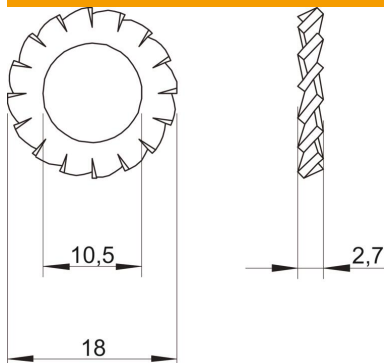


- St** Steel
- G** Electrogalvanized

### Master data

|                     |                            |
|---------------------|----------------------------|
| Item number         | 3404102                    |
| Type                | SWS M10 G                  |
| Description 1       | Serrated washer            |
| Manufacturer        | OBO                        |
| Dimension           | M10                        |
| Material            | Steel                      |
| Surface             | Electrogalvanized          |
| Surface standard    | EN ISO 19598 / EN ISO 4042 |
| Smallest sales unit | 100                        |
| Unit of quantity    | Piece                      |
| Weight              | 0.125 kg                   |
| Weight unit         | kg/100 pc.                 |

### Dimensions



|                  |         |
|------------------|---------|
| Height           | 2.7 mm  |
| Plate thickness  | 0.11 in |
| Dimension D      | 0.71 in |
| Dimension d      | 0.41 in |
| Dimension d      | 10.5 mm |
| Dimension d max. | 18 mm   |
| Dimension d min. | 18 mm   |
| Dimension h      | 2.7 mm  |

### Technical data

|                |         |
|----------------|---------|
| Thread         | M10     |
| Inner diameter | 0.41 mm |

# Technical data sheet

Serrated washer DIN 6798 G

Item number: 3404102



## Technical data

Lock washer version

Open external gearing