

# Technical data sheet

## Support clamp, multifunctional

Item number: 1488564



Multifunctional support clamp for mounting cables, protection pipes and cable sections. Fastening through knocking onto steel girders.



CE

- St Steel
- ZL Zinc slat

### Master data

Item number	1488564
Type	SK MULTI 8-14
Description 1	Beam clamp
Description 2	multifunctional
Manufacturer	OBO
Dimension	8-14mm
Material	Steel
Surface	Zinc slat
Surface standard	
Smallest sales unit	100
Unit of quantity	Piece
Weight	1.12 kg
Weight unit	kg/100 pc.

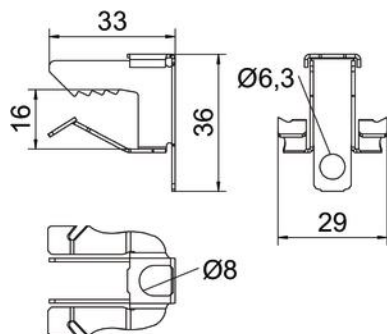
# Technical data sheet

## Support clamp, multifunctional

Item number: 1488564



### Dimensions



Length	33 mm
Width	29 mm
Height	36 mm
Dimension H	36 mm
Dimension L	33 mm
Maß W	29 mm

### Technical data

Connection type/component	Miscellaneous
Fastening type	Clamp
Flange thickness F max.	14 mm
Flange thickness F min.	8 mm
Hinge, adjustable	no
Hinged	no