

# Technical data sheet

## Distribution box, 9 division units, empty, polycarbonate

Item number: 2008868



Small distributor for surface mounting, for the current sub-distribution in interior and exterior areas, according to IEC 439-3. With pre-mounted 35 mm hat profile rail. IP66 protection type and IK08 protection rating. Transparent cover to screw on, with cut-out. Including 4 screw cover caps.



- Protection-insulated for a maximum of 9 division units
  - 8 break-out openings each of  $\varnothing$  20 mm at the top and bottom
  - 1 combination break-out opening each of  $\varnothing$  20/25/32 mm at the top and bottom
  - 4 screw cover caps
- Nominal current 63 A  
Power loss at 40 K 20.7 W



PC Polycarbonate

### Master data

Item number	2008868
Type	SDB 09L PC
Description 1	Small distributor
Description 2	no terminal strip, for 9 units
Manufacturer	OBO
Dimension	240x191x125
Colour	Light grey; RAL 7035
Material	Polycarbonate
Smallest sales unit	1
Unit of quantity	Piece
Weight	108 kg
Weight unit	kg/100 pc.

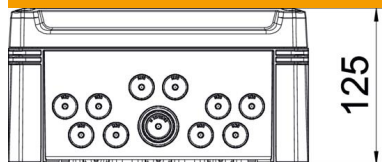
# Technical data sheet

Distribution box, 9 division units, empty, polycarbonate

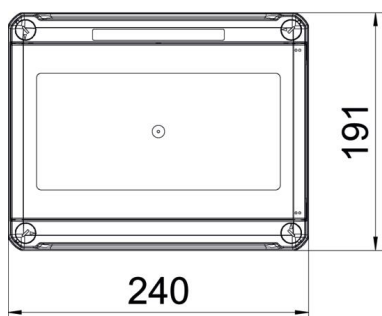
Item number: 2008868



## Dimensions



Length	241 mm
Width	191 mm
Height	126 mm



## Technical data

Extension option	yes
Number of rows	1
Cover type	Cover
Version, small distributor cover	With cut-out
DIN rail	yes
Installation location	Protected outdoor area
EMC version	no
Glow wire test	850 °C
With mounting plate	no
With lock	no
Mounting type, consumer units	Structure
Nominal insulating voltage AC	1000 V
Nominal insulating voltage DC	1500 V
Nominal voltage	400 V
Nominal current	63 A
Protection rating	IP66
Protection rating IK code	IK08
Transparent lid	yes