

Technical data sheet

90° bend 60 FT

Item number: 7124438



90° bend for horizontal routing of cable trays, type RKS 605.
The fitting is shipped in an unmounted state.
Including appropriate fastening material.
The 50 mm width has a rectangle shape and does not correspond to the image.



- St** Steel
- FT** Hot-dip galvanised

Master data

Item number	7124438
Type	RB 90 605 FT
Description 1	90° bend
Description 2	horizontal
Manufacturer	OBO
Dimension	60x50
Material	Steel
Surface	Hot-dip galvanised
Surface standard	DIN EN ISO 1461
Smallest sales unit	1
Unit of quantity	Piece
Weight	41.6 kg
Weight unit	kg/100 pc.

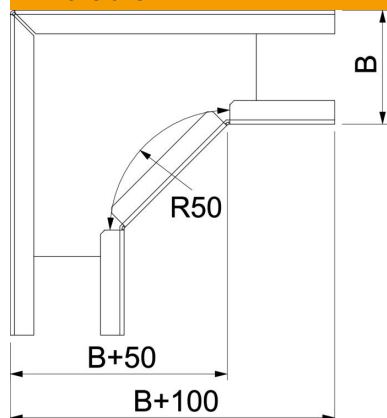
Technical data sheet

90° bend 60 FT

Item number: 7124438



Dimensions



Width	50 mm
Height	60 mm
Height	2 in
Dimension B	50 mm
Dimension R	50 mm

Technical data

Bend (angle)	90°
Connector version	Supplied connectors
Type	Bend, rigid
Maintain electrical functions	no
Mounting perforation in base	no
NATO hole pattern	no
Change of direction	Horizontal
Rustproof steel, pickled	no
Side perforation	no
Wide-span version	no
Type of connector, cable support system	Screwed