

Technical data sheet

90° vertical bend, falling 110 FT

Item number: 7007367



90° vertical bend, falling, for all cable tray types of 110 mm side height.
The vertical bend is pushed over the end of the cable tray and screwed tight.
Fastening materials should be ordered separately.

CE

St Steel

FT Hot-dip galvanised

Master data

Item number	7007367
Type	RBV 150 F FT
Description 1	90° vertical bend
Description 2	falling
Manufacturer	OBO
Dimension	110x500
Material	Steel
Surface	Hot-dip galvanised
Surface standard	DIN EN ISO 1461
Smallest sales unit	1
Unit of quantity	Piece
Weight	176.9 kg
Weight unit	kg/100 pc.

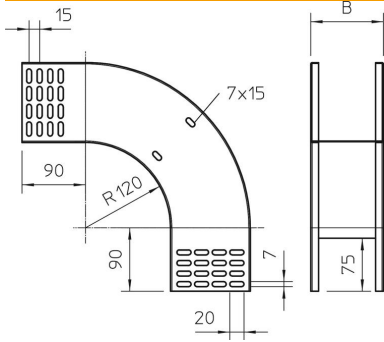
Technical data sheet

90° vertical bend, falling 110 FT

Item number: 7007367



Dimensions



Width	500 mm
Width	20 in
Height	110 mm
Height	4 in
Plate thickness	1 mm
Dimension B	500 mm

Technical data

Bend (angle)	90°
Connector version	Without connectors
Maintain electrical functions	no
Mounting perforation in base	no
NATO hole pattern	no
Change of direction	Vertical, falling
Rustproof steel, pickled	no
Side perforation	no
Wide-span version	no
Type of connector, cable support system	Screwed