

Technical data sheet

90° vertical bend, rising, 110 FS

Item number: 7007318



90° rising vertical bend, for all cable tray types of 110 mm side height.
The vertical bend is pushed over the end of the cable tray and screwed tight.
Fastening materials should be ordered separately.

CE

St Steel

FS Strip galvanized

Master data

Item number	7007318
Type	RBV 130 S FS
Description 1	90° vertical bend
Description 2	rising
Manufacturer	OBO
Dimension	110x300
Material	Steel
Surface	Strip galvanized
Surface standard	DIN EN 10346
Smallest sales unit	1
Unit of quantity	Piece
Weight	182.4 kg
Weight unit	kg/100 pc.

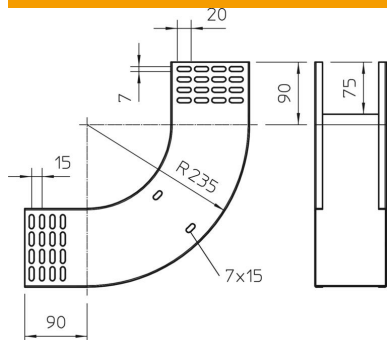
Technical data sheet

90° vertical bend, rising, 110 FS

Item number: 7007318



Dimensions



Width	300 mm
Width	12 in
Height	110 mm
Height	4 in
Plate thickness	1 mm
Dimension B	300 mm

Technical data

Bend (angle)	90°
Connector version	Without connectors
Maintain electrical functions	no
Mounting perforation in base	no
NATO hole pattern	no
Change of direction	Vertical rising
Rustproof steel, pickled	no
Side perforation	no
Wide-span version	no
Type of connector, cable support system	Screwed