

Technical data sheet

45° bend 60 A2

Item number: 7133251



45° bend, horizontal and unperforated, for all cable tray types of 60 mm side height.
Fitting, unperforated, in round design. The interior radius of the fitting is 150 mm.
Fastening materials should be ordered separately.



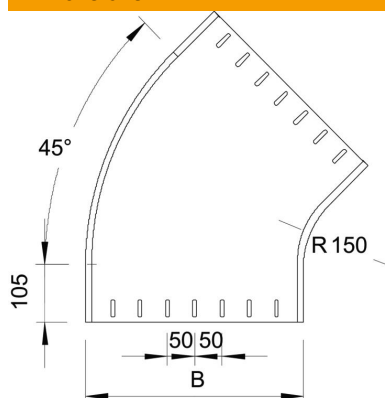
A2 Stainless steel

2B Bright, treated

Master data

| | |
|---------------------|--------------------------|
| Item number | 7133251 |
| Type | RBU 45 660 A2 |
| Description 1 | 45° bend |
| Description 2 | unperforated, round type |
| Manufacturer | OBO |
| Dimension | 60x600 |
| Material | Stainless steel |
| Surface | Bright, treated |
| Surface standard | |
| Smallest sales unit | 1 |
| Unit of quantity | Piece |
| Weight | 480.4 kg |
| Weight unit | kg/100 pc. |

Dimensions



| | |
|-----------------|--------|
| Width | 600 mm |
| Width | 24 in |
| Height | 60 mm |
| Height | 2 in |
| Plate thickness | 1.5 mm |
| Dimension B | 600 mm |
| Dimension R | 150 mm |

Technical data sheet

45° bend 60 A2

Item number: 7133251



Technical data

| | |
|---|--------------------|
| Bend (angle) | 45° |
| Connector version | Without connectors |
| Maintain electrical functions | no |
| Mounting perforation in base | no |
| NATO hole pattern | no |
| Change of direction | Horizontal |
| Rustproof steel, pickled | no |
| Side perforation | no |
| Wide-span version | no |
| Type of connector, cable support system | Screwed |