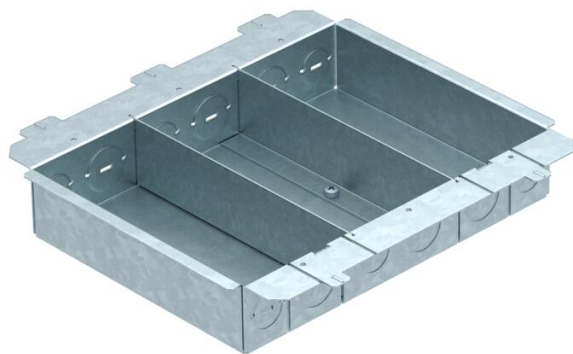


# Technical data sheet

## Mounting support for GES9

Item number: 7428235



Closed mounting support for receiving 3 APMT5 cover plates. The mounting support is fastened below the GES9DB service outlet. Each with 6 knock-out openings M20 and M25 for the mounting of flexible installation hoses.



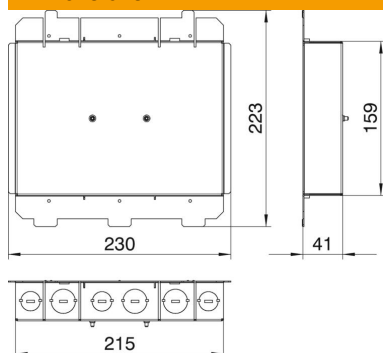
**St** Steel

**FS** Strip galvanized

### Master data

Item number	7428235
Type	MT 9 DB AP 5
Description 1	Mounting plate
Description 2	for GES9 in raised floors
Manufacturer	OBO
Dimension	230x207x41
Material	Steel
Surface	Strip galvanized
Surface standard	DIN EN 10346
Smallest sales unit	1
Unit of quantity	Piece
Weight	72.8 kg
Weight unit	kg/100 pc.

### Dimensions



Length	230 mm
Width	223 mm
Height	41 mm

# Technical data sheet

Mounting support for GES9

Item number: 7428235



## Technical data

Version for

Support shape