

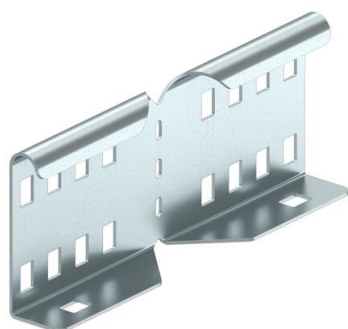
Technical data sheet

Angle connector 75 FT

Item number: 6487354



Angle connector as external connector to join cable ladders and fittings with a side height of 75 mm and continuous rail perforation.



St Steel

FT Hot-dip galvanised

Master data

Item number	6487354
Type	LWVG 75 FT
Description 1	Angle connector
Description 2	horizontal
Manufacturer	OBO
Dimension	75
Material	Steel
Surface	Hot-dip galvanised
Surface standard	DIN EN ISO 1461
Smallest sales unit	10
Unit of quantity	Piece
Weight	39.6 kg
Weight unit	kg/100 pc.

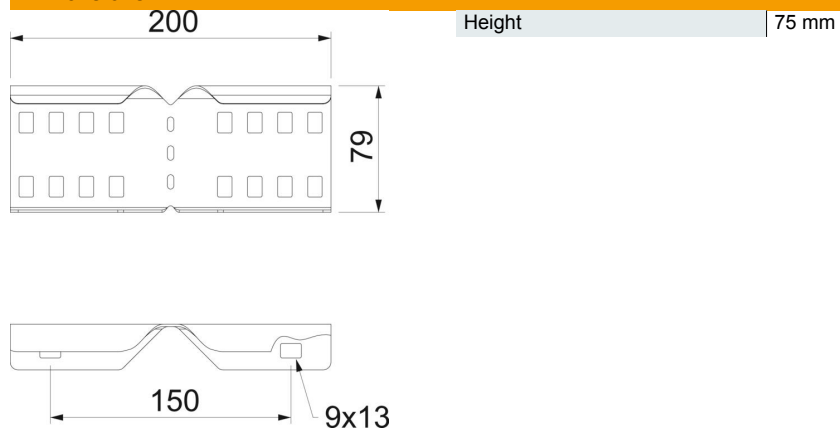
Technical data sheet

Angle connector 75 FT

Item number: 6487354



Dimensions



Technical data

Suitable for cable tray system height	75 mm
---------------------------------------	-------