

# Technical data sheet

## Cable ladder LG 75, 3 m VS FT

Item number: 6487042



Cable ladder with perforated side rail of side height 75 mm with riveted C profile rungs, open in an upwards direction. Assignment of the rungs on both sides possible using U clamps.  
Magnetic shield insulation without cover 10 dB, with cover 15 dB.



CE

- St** Steel
- FT** Hot-dip galvanised

### Master data

Item number	6487042
Type	LG 775 VS FT
Description 1	Cable ladder
Description 2	perforated
Manufacturer	OBO
Dimension	75x750x3000
Material	Steel
Surface	Hot-dip galvanised
Surface standard	DIN EN ISO 1461
Smallest sales unit	3
Unit of quantity	Metre
Weight	590.267 kg
Weight unit	kg/100 m

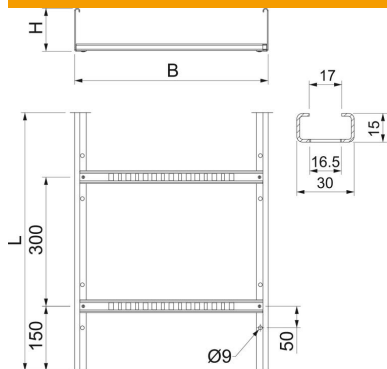
# Technical data sheet

## Cable ladder LG 75, 3 m VS FT

Item number: 6487042



### Dimensions



Length	3,000 mm
Length	3,000 ft
Width	750 mm
Height	75 mm

### Technical data

Usable cross-section	410 cm <sup>2</sup>
Usable cross-section	41000 mm <sup>2</sup>
Rung distance	300 mm
Rail thickness	2 mm

### Loads

Support spacing 2.0 m	2.2 kN/m
Support spacing 2.5 m	1.5 kN/m
Support spacing 3.0 m	1.1 kN/m
Support spacing 4.0 m	0.45 kN/m