

Technical data sheet

Cable ladder LG 75, 3 m VS FS

Item number: 6487062



Cable ladder with perforated side rail of side height 75 mm with riveted C profile rungs, open in an upwards direction. Assignment of the rungs on both sides possible using U clamps.

Magnetic shield insulation without cover 10 dB, with cover 15 dB.



St Steel

FS Strip galvanized

Master data

Item number	6487062
Type	LG 775 VS FS
Description 1	Cable ladder
Description 2	perforated
Manufacturer	OBO
Dimension	75x750x3000
Material	Steel
Surface	Strip galvanized
Surface standard	DIN EN 10346
Smallest sales unit	3
Unit of quantity	Metre
Weight	562.3 kg
Weight unit	kg/100 m

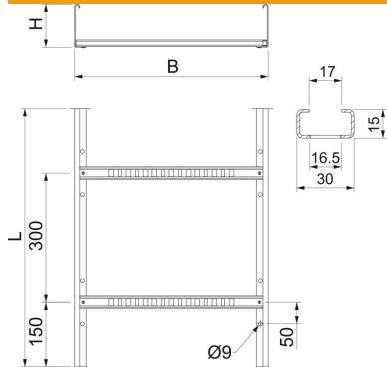
Technical data sheet

Cable ladder LG 75, 3 m VS FS

Item number: 6487062



Dimensions



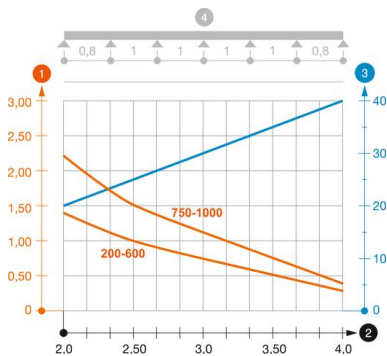
Length	3,000 mm
Length	3,000 ft
Width	750 mm
Height	75 mm

Technical data

Usable cross-section	410 cm ²
Usable cross-section	41000 mm ²
Rung distance	300 mm
Rail thickness	2 mm

Loads

Support spacing 2.0 m	2.2 kN/m
Support spacing 2.5 m	1.5 kN/m
Support spacing 3.0 m	1.1 kN/m
Support spacing 4.0 m	0.45 kN/m



Load diagram, cable ladder, type LG 7... VS

- 1 Permitted cable tray/ladder load in kN/m without man load
- 2 Support width in m
- 3 Rail bend in mm at permitted kN/m
- 4 Load scheme during testing
- Load curve with cable tray/ladder width in mm
- Strut bend curve according to support width