

Technical data sheet

Cable ladder LG 75, 3 m VS FT

Item number: 6487039



Cable ladder with perforated side rail of side height 75 mm with riveted C profile rungs, open in an upwards direction. Assignment of the rungs on both sides possible using U clamps.
Magnetic shield insulation without cover 10 dB, with cover 15 dB.



CE

- St** Steel
- FT** Hot-dip galvanised

Master data

Item number	6487039
Type	LG 760 VS FT
Description 1	Cable ladder
Description 2	perforated
Manufacturer	OBO
Dimension	75x600x3000
Material	Steel
Surface	Hot-dip galvanised
Surface standard	DIN EN ISO 1461
Smallest sales unit	3
Unit of quantity	Metre
Weight	405.067 kg
Weight unit	kg/100 m

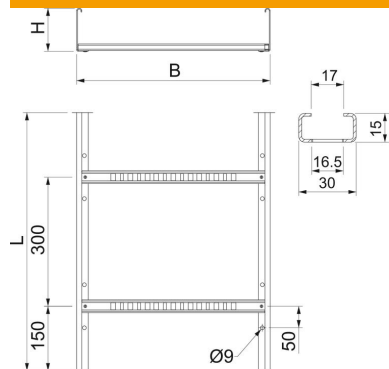
Technical data sheet

Cable ladder LG 75, 3 m VS FT

Item number: 6487039



Dimensions



Length	3,000 mm
Length	3,000 ft
Width	600 mm
Height	75 mm

Technical data

Usable cross-section	328 cm ²
Usable cross-section	32800 mm ²
Rung distance	300 mm
Rail thickness	1.5 mm

Loads

Support spacing 2.0 m	1.4 kN/m
Support spacing 2.5 m	1 kN/m
Support spacing 3.0 m	0.75 kN/m
Support spacing 4.0 m	0.35 kN/m