

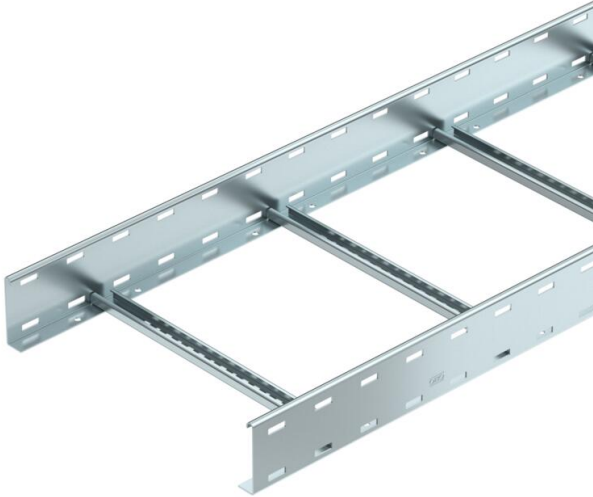
Technical data sheet

Cable ladder LG 100, 3 m VS FT

Item number: 6487107



Cable ladder with perforated side rail of side height 100 mm with riveted C profile rungs, open in an upwards direction. Assignment of the rungs on both sides possible using U clamps.
Magnetic shield insulation without cover 10 dB, with cover 15 dB.



CE

- St** Steel
- FT** Hot-dip galvanised

Master data

| | |
|---------------------|--------------------|
| Item number | 6487107 |
| Type | LG 1045 VS FT |
| Description 1 | Cable ladder |
| Description 2 | perforated |
| Manufacturer | OBO |
| Dimension | 100x450x3000 |
| Material | Steel |
| Surface | Hot-dip galvanised |
| Surface standard | DIN EN ISO 1461 |
| Smallest sales unit | 3 |
| Unit of quantity | Metre |
| Weight | 539.533 kg |
| Weight unit | kg/100 m |

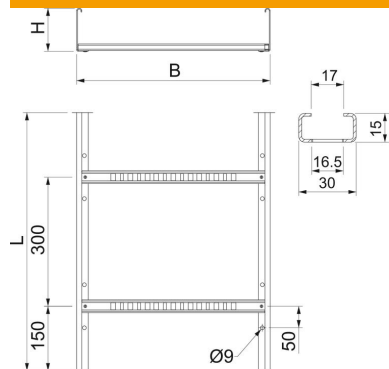
Technical data sheet

Cable ladder LG 100, 3 m VS FT

Item number: 6487107



Dimensions



| | |
|--------|----------|
| Length | 3,000 mm |
| Length | 3,000 ft |
| Width | 450 mm |
| Height | 100 mm |

Technical data

| | |
|----------------------|-----------------------|
| Usable cross-section | 358 cm ² |
| Usable cross-section | 35800 mm ² |
| Rung distance | 300 mm |
| Rail thickness | 2 mm |

Loads

| | |
|-----------------------|----------|
| Support spacing 2.0 m | 2.6 kN/m |
| Support spacing 2.5 m | 1.7 kN/m |
| Support spacing 3.0 m | 1.3 kN/m |
| Support spacing 4.0 m | 0.6 kN/m |