

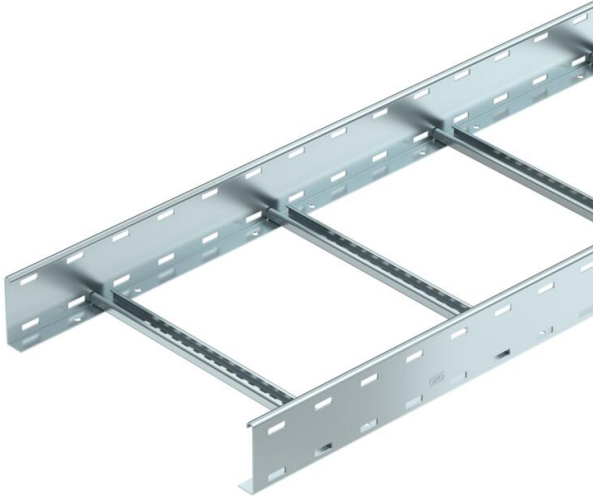
# Technical data sheet

## Cable ladder LG 100, 3 m VS FT

Item number: 6487104



Cable ladder with perforated side rail of side height 100 mm with riveted C profile rungs, open in an upwards direction. Assignment of the rungs on both sides possible using U clamps.  
Magnetic shield insulation without cover 10 dB, with cover 15 dB.



CE

- St** Steel
- FT** Hot-dip galvanised

### Master data

Item number	6487104
Type	LG 1030 VS FT
Description 1	Cable ladder
Description 2	perforated
Manufacturer	OBO
Dimension	100x300x3000
Material	Steel
Surface	Hot-dip galvanised
Surface standard	DIN EN ISO 1461
Smallest sales unit	3
Unit of quantity	Metre
Weight	503.133 kg
Weight unit	kg/100 m

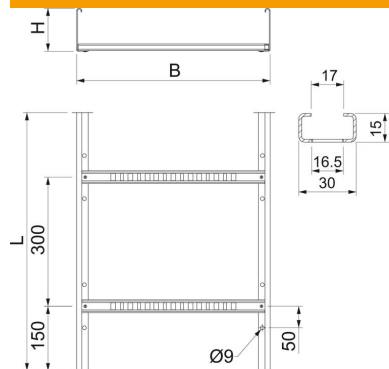
# Technical data sheet

Cable ladder LG 100, 3 m VS FT

Item number: 6487104



## Dimensions



Length	3,000 mm
Length	3,000 ft
Width	300 mm
Height	100 mm

## Technical data

Usable cross-section	238 cm <sup>2</sup>
Usable cross-section	23800 mm <sup>2</sup>
Rung distance	300 mm
Rail thickness	2 mm

## Loads

Support spacing 2.0 m	2.6 kN/m
Support spacing 2.5 m	1.7 kN/m
Support spacing 3.0 m	1.3 kN/m
Support spacing 4.0 m	0.5 kN/m