

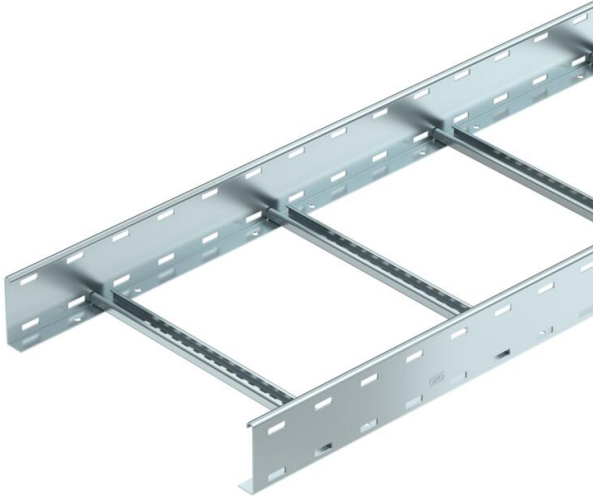
Technical data sheet

Cable ladder LG 100, 3 m VS FT

Item number: 6487116



Cable ladder with perforated side rail of side height 100 mm with riveted C profile rungs, open in an upwards direction. Assignment of the rungs on both sides possible using U clamps.
Magnetic shield insulation without cover 10 dB, with cover 15 dB.



CE

- St** Steel
- FT** Hot-dip galvanised

Master data

Item number	6487116
Type	LG 10100 VS FT
Description 1	Cable ladder
Description 2	perforated
Manufacturer	OBO
Dimension	100x1000x3m
Material	Steel
Surface	Hot-dip galvanised
Surface standard	DIN EN ISO 1461
Smallest sales unit	3
Unit of quantity	Metre
Weight	756.067 kg
Weight unit	kg/100 m

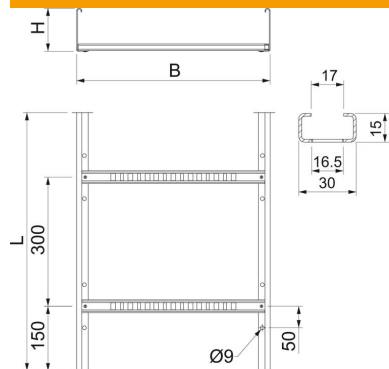
Technical data sheet

Cable ladder LG 100, 3 m VS FT

Item number: 6487116



Dimensions



Length	3,000 mm
Length	3,000 ft
Width	1,000 mm
Height	100 mm

Technical data

Usable cross-section	798 cm ²
Usable cross-section	79800 mm ²
Rung distance	300 mm
Rail thickness	2 mm

Loads

Support spacing 2.0 m	2.8 kN/m
Support spacing 2.5 m	1.7 kN/m
Support spacing 3.0 m	1.3 kN/m
Support spacing 4.0 m	0.6 kN/m