

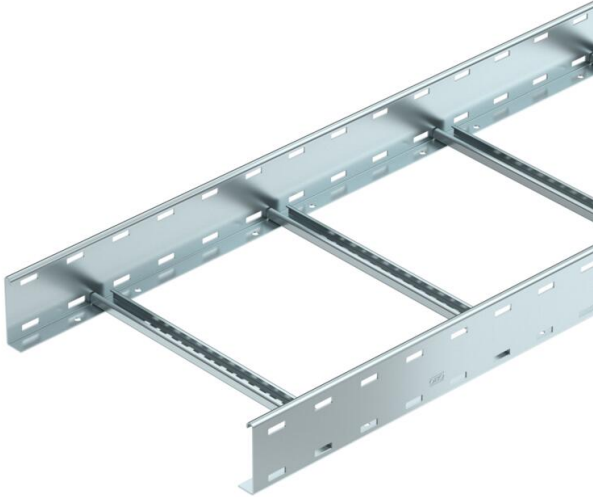
# Technical data sheet

## Cable ladder LG 100, 3 m VS FS

Item number: 6487136



Cable ladder with perforated side rail of side height 100 mm with riveted C profile rungs, open in an upwards direction. Assignment of the rungs on both sides possible using U clamps.  
Magnetic shield insulation without cover 10 dB, with cover 15 dB.



CE

- St** Steel
- FS** Strip galvanized

### Master data

Item number	6487136
Type	LG 10100 VS FS
Description 1	Cable ladder
Description 2	perforated
Manufacturer	OBO
Dimension	100x1000x3m
Material	Steel
Surface	Strip galvanized
Surface standard	DIN EN 10346
Smallest sales unit	3
Unit of quantity	Metre
Weight	720.233 kg
Weight unit	kg/100 m

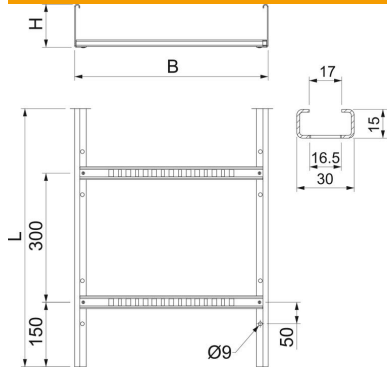
# Technical data sheet

## Cable ladder LG 100, 3 m VS FS

Item number: 6487136



### Dimensions



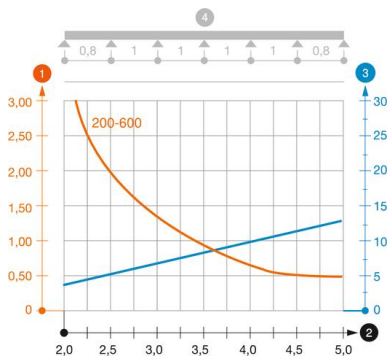
Length	3,000 mm
Length	3,000 ft
Width	1,000 mm
Height	100 mm

### Technical data

Usable cross-section	798 cm <sup>2</sup>
Usable cross-section	79800 mm <sup>2</sup>
Rung distance	300 mm
Rail thickness	2 mm

### Loads

Support spacing 2.0 m	2.8 kN/m
Support spacing 2.5 m	1.7 kN/m
Support spacing 3.0 m	1.3 kN/m
Support spacing 4.0 m	0.6 kN/m



#### Load diagram, cable ladder, type LG 10... VS

- 1 Permitted cable tray/ladder load in kN/m without man load
- 2 Support width in m
- 3 Rail bend in mm at permitted kN/m
- 4 Load scheme during testing
- Load curve with cable tray/ladder width in mm
- Strut bend curve according to support width