

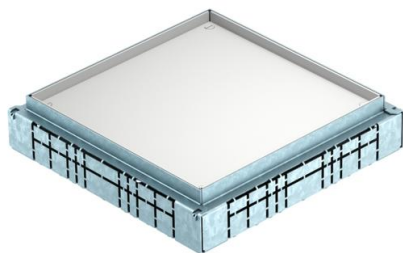
Technical data sheet

JBT underfloor junction box - for MD duct

Item number: 7490103



Underfloor junction box for metal ducts in the heights 25 mm and 38 mm.



St Steel

FS Strip galvanized

Master data

Item number	7490103
Type	JBT 20038 10
Description 1	Underfloor Junction Box
Description 2	for metal duct, tile flooring
Manufacturer	OBO
Dimension	272x272x60
Material	Steel
Surface	Strip galvanized
Surface standard	DIN EN 10346
Smallest sales unit	1
Unit of quantity	Piece
Weight	372.6 kg
Weight unit	kg/100 pc.

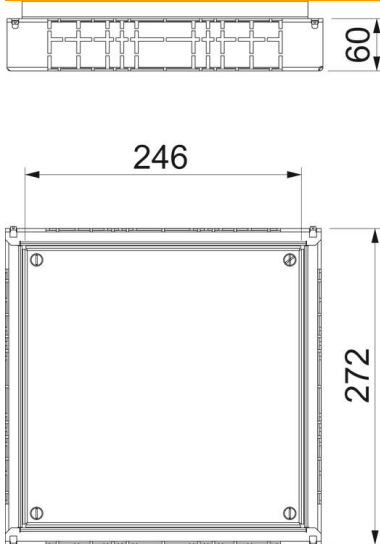
Technical data sheet

JBT underfloor junction box - for MD duct

Item number: 7490103



Dimensions



Dimension a	246 mm
Dimension A	272 mm
Dimension B	272 mm
Dimension b	246 mm
Dimension h	60 mm

Technical data

Expansion option	For installation of accessories
Floor plate	yes
Installation opening for on-floor tank	no
Decouplable	no
For pipe connection	no
Suitable for screed-covered underfloor ducts	yes
Trunking width, max.	200 mm
Trunking width, min.	50 mm
Trunking height, max.	38 mm
Duct height, min.	25 mm
Material thickness	1.5 mm
Depth of floor covering recess	10 mm