

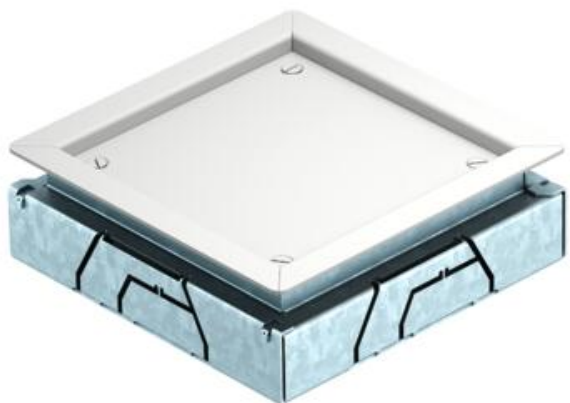
Technical data sheet

JBT underfloor junction box - for PVC duct

Item number: 7490111



Underfloor junction box for PVC ducts in heights of 25 mm and 35 mm.



St Steel

FS Strip galvanized

Master data

Item number	7490111
Type	JBT1 9035 10
Description 1	Underfloor Junction Box
Description 2	for PVC duct, tile flooring
Manufacturer	OBO
Dimension	185x185x55
Material	Steel
Surface	Strip galvanized
Surface standard	DIN EN 10346
Smallest sales unit	1
Unit of quantity	Piece
Weight	202 kg
Weight unit	kg/100 pc.

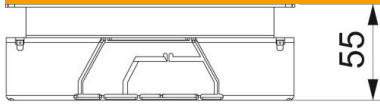
Technical data sheet

JBT underfloor junction box - for PVC duct

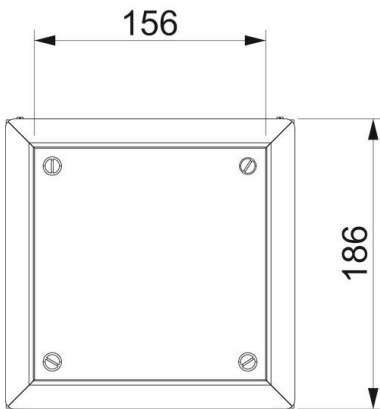
Item number: 7490111



Dimensions



Dimension a	156 mm
Dimension A	186 mm
Dimension B	186 mm
Dimension b	156 mm
Dimension h	55 mm



Technical data

Number of compartments	1 St.
Expansion option	For installation of accessories
Floor plate	yes
Installation opening for on-floor tank	no
Decouplable	no
For pipe connection	no
Suitable for screed-covered underfloor ducts	yes
Trunking width, max.	90 mm
Trunking width, min.	60 mm
Trunking height, max.	35 mm
Duct height, min.	25 mm
Depth of floor covering recess	10 mm