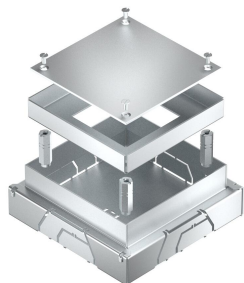


Technical data sheet

JBM underfloor connection socket for 1 PVC duct

Item number: 7490135



Underfloor junction box for PVC ducts in the heights 25 mm and 35 mm.



St Steel

FS Strip galvanized

Master data

Item number	7490135
Type	JBM1 9035 20
Description 1	Underfloor connection socket
Description 2	for PVC duct, stone flooring
Manufacturer	OBO
Dimension	185x185x70
Material	Steel
Surface	Strip galvanized
Surface standard	DIN EN 10346
Smallest sales unit	1
Unit of quantity	Piece
Weight	216.67 kg
Weight unit	kg/100 pc.

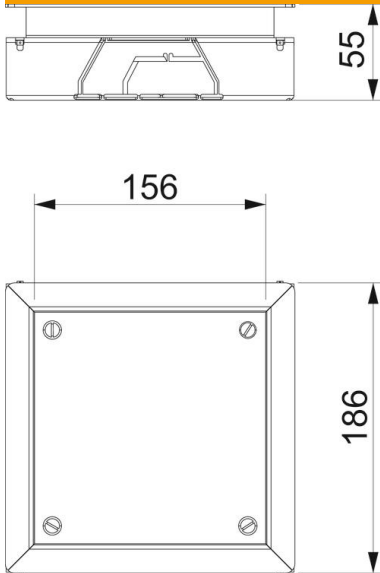
Technical data sheet

JBM underfloor connection socket for 1 PVC duct

Item number: 7490135



Dimensions



Length	185 mm
Width	185 mm
Height	70 mm
Dimension a	154 mm
Dimension A	185 mm
Dimension B	185 mm
Dimension b	154 mm
Dimension h	70 mm

Technical data

Number of compartments	1 St.
Expansion option	For installation of accessories
Floor plate	yes
Installation opening for on-floor tank	no
Decouplable	no
For pipe connection	no
Suitable for screed-covered underfloor ducts	yes
Trunking width, max.	90 mm
Trunking width, min.	60 mm
Trunking height, max.	35 mm
Duct height, min.	25 mm
Depth of floor covering recess	20 mm