

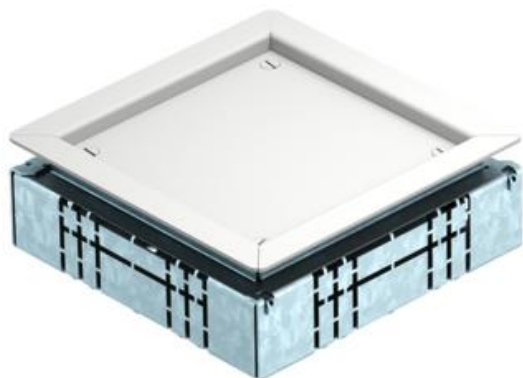
Technical data sheet

JBC underfloor junction box - for MD duct

Item number: 7490146



Underfloor junction box for metal ducts in the heights 25 mm and 38 mm.



St Steel

Master data

Item number	7490146
Type	JBC 10038 10 1.6
Description 1	Underfloor Junction Box
Description 2	for steel duct, carpet
Available from	15.01.2021
Manufacturer	OBO
Dimension	172x172x60
Material	Steel
Smallest sales unit	1
Unit of quantity	Piece
Weight	210 kg
Weight unit	kg/100 pc.

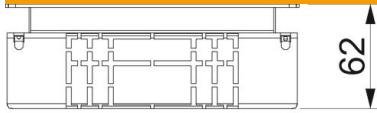
Technical data sheet

JBC underfloor junction box - for MD duct

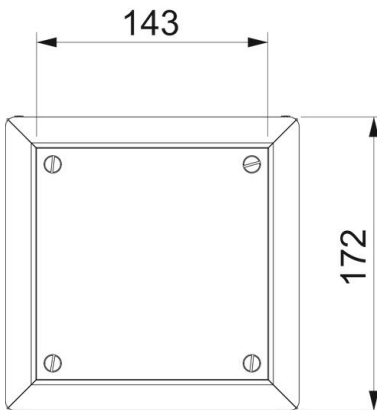
Item number: 7490146



Dimensions



Dimension h 64 mm



Technical data

Expansion option	For installation of accessories
Floor plate	yes
Installation opening for on-floor tank	no
Decouplable	no
For pipe connection	no
Suitable for screed-covered underfloor ducts	yes
Trunking width, max.	300 mm
Trunking width, min.	50 mm
Trunking height, max.	38 mm
Duct height, min.	25 mm
Depth of floor covering recess	10 mm