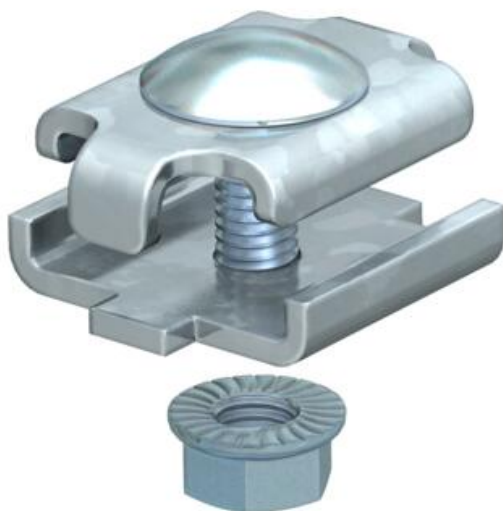


Technical data sheet

Joint connector FT

Item number: 6016634



Screwed version of joint connector for mesh cable trays.
Including FRS M6 x 20 bolt with flange nut.
Figure: Positioning and quantity of mesh cable tray connectors.

50–150 mm = 2 units

200–300 mm = 3 units

400–450 mm = 4 units

500–600 mm = 5 units



St Steel

FT Hot-dip galvanised

Master data

| | |
|---------------------|---------------------|
| Item number | 6016634 |
| Type | GSV 34 FT |
| Description 1 | Joint connector |
| Description 2 | for mesh cable tray |
| Manufacturer | OBO |
| Material | Steel |
| Surface | Hot-dip galvanised |
| Surface standard | DIN EN ISO 1461 |
| Smallest sales unit | 20 |
| Unit of quantity | Piece |
| Weight | 3.15 kg |
| Weight unit | kg/100 pc. |

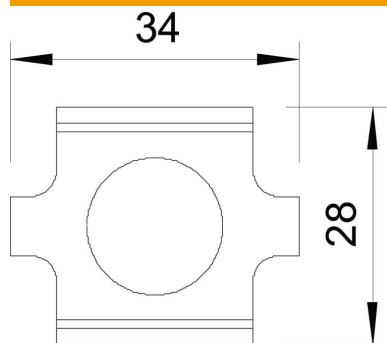
Technical data sheet

Joint connector FT

Item number: 6016634



Dimensions



| | |
|-----------|-----------|
| Dimension | 34 x 27,5 |
| Length | 34 mm |
| Width | 29 mm |
| Width | 1.14 in |
| Height | 24 mm |
| Height | 0.94 in |

Technical data

| | |
|---|--------------------|
| Version for | Straight connector |
| Maintain electrical functions | no |
| Suitable for mesh cable tray | yes |
| Suitable for cable ladder | no |
| Suitable for cable tray | no |
| Adjustable connector, horizontal | no |
| Articulated connector, vertical | no |
| Suitable for mesh cable tray wire, max. | 4.9 mm |
| Suitable for mesh cable tray wire, min. | 3.9 mm |
| Rustproof steel, pickled | no |
| Connection type | Screw connector |