

Technical data sheet

Clamping piece FT

Item number: 6015271



Hold-down clamp for fastening mesh cable trays on the ground or on stand-off brackets of type DBL.
Use on mesh cable trays with 50 x 100 mm grid only.



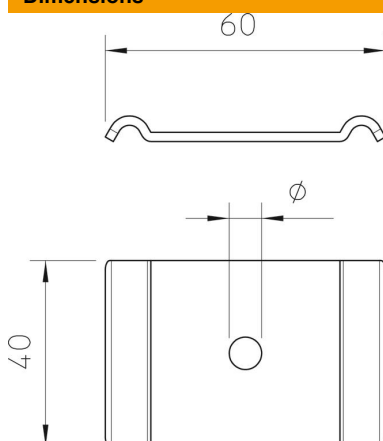
St Steel

FT Hot-dip galvanised

Master data

Item number	6015271
Type	GKS 50 07 FT
Description 1	Hold-down clamp
Description 2	for screw M6
Manufacturer	OBO
Dimension	60x40
Material	Steel
Surface	Hot-dip galvanised
Surface standard	DIN EN ISO 1461
Smallest sales unit	50
Unit of quantity	Piece
Weight	3.59 kg
Weight unit	kg/100 pc.

Dimensions



Dimension	60 x 40
-----------	---------

Technical data sheet

Clamping piece FT

Item number: 6015271



Technical data

Suitable for mesh cable tray	yes
Suitable for cable ladder	no
Suitable for cable tray	no
Hole diameter	7 mm
Rustproof steel, pickled	no
Connection type	Miscellaneous