

Technical data sheet

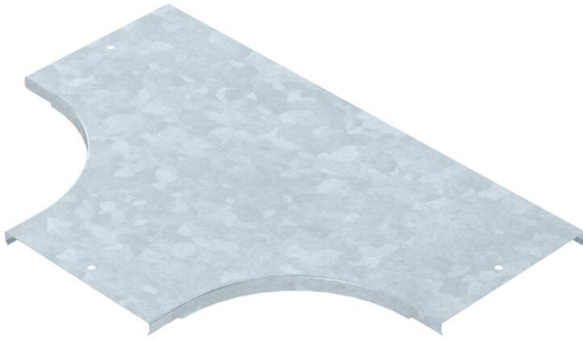
Cover for horizontal tee FT

Item number: 6483493



Cover for horizontal tee for GKS... cable tray types with all side heights.

The cover can be used with fittings of all side heights.



St Steel

FT Hot-dip galvanised

Master data

Item number	6483493
Type	GKSDT 200 FT
Description 1	Cover, T-branch piece
Description 2	horizontal
Manufacturer	OBO
Dimension	B200mm
Material	Steel
Surface	Hot-dip galvanised
Surface standard	DIN EN ISO 1461
Smallest sales unit	1
Unit of quantity	Piece
Weight	102.85 kg
Weight unit	kg/100 pc.

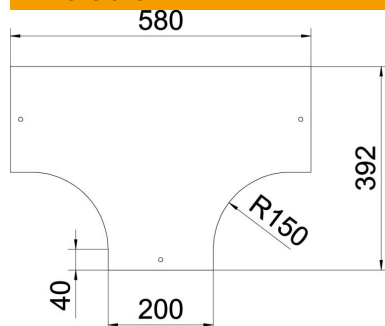
Technical data sheet

Cover for horizontal tee FT

Item number: 6483493



Dimensions



Width	200 mm
Plate thickness	1 mm
Dimension B	200 mm
Dimension d min.	8 mm

Technical data

Fastening type	Sash lock
Suitable for cable ladder	no
Suitable for cable tray	yes
Material thickness	1 mm
Rustproof steel, pickled	no
Wide-span version	no