

Technical data sheet

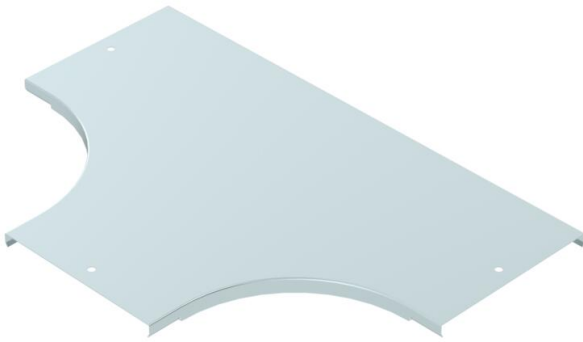
Cover for horizontal tee FS

Item number: 6480493



Cover for horizontal tee for GKS... cable tray types with all side heights.

The cover can be used with fittings of all side heights.



St Steel

FS Strip galvanized

Master data

Item number	6480493
Type	GKSDT 200 FS
Description 1	Cover, T-branch piece
Description 2	horizontal
Manufacturer	OBO
Dimension	B200mm
Material	Steel
Surface	Strip galvanized
Surface standard	DIN EN 10346
Smallest sales unit	1
Unit of quantity	Piece
Weight	93.5 kg
Weight unit	kg/100 pc.

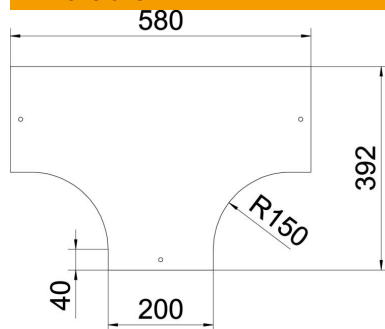
Technical data sheet

Cover for horizontal tee FS

Item number: 6480493



Dimensions



Width	200 mm
Plate thickness	1 mm
Dimension B	200 mm
Dimension d min.	8 mm

Technical data

Fastening type	On top
Suitable for cable ladder	no
Suitable for cable tray	yes
Material thickness	1 mm
Rustproof steel, pickled	no
Wide-span version	no