

# Technical data sheet

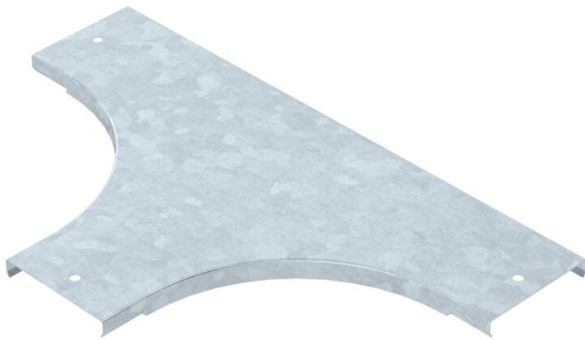
## Cover for horizontal tee FT

Item number: 6483491



Cover for horizontal tee for GKS... cable tray types with all side heights.

The cover can be used with fittings of all side heights.



**St** Steel

**FT** Hot-dip galvanised

### Master data

Item number	6483491
Type	GKSDT 100 FT
Description 1	Cover, T-branch piece
Description 2	horizontal
Manufacturer	OBO
Dimension	B100mm
Material	Steel
Surface	Hot-dip galvanised
Surface standard	DIN EN ISO 1461
Smallest sales unit	1
Unit of quantity	Piece
Weight	51.42 kg
Weight unit	kg/100 pc.

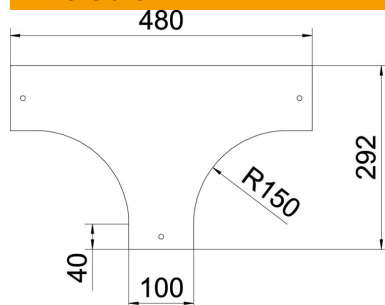
# Technical data sheet

## Cover for horizontal tee FT

Item number: 6483491



### Dimensions



Width	100 mm
Plate thickness	1 mm
Dimension B	100 mm
Dimension d min.	8 mm

### Technical data

Fastening type	Sash lock
Suitable for cable ladder	no
Suitable for cable tray	yes
Material thickness	1 mm
Rustproof steel, pickled	no
Wide-span version	no