

# Technical data sheet

## Cover for horizontal tee FS

Item number: 6480491



Cover for horizontal tee for GKS... cable tray types with all side heights.

The cover can be used with fittings of all side heights.



**St** Steel

**FS** Strip galvanized

### Master data

Item number	6480491
Type	GKSDT 100 FS
Description 1	Cover, T-branch piece
Description 2	horizontal
Manufacturer	OBO
Dimension	B100mm
Material	Steel
Surface	Strip galvanized
Surface standard	DIN EN 10346
Smallest sales unit	1
Unit of quantity	Piece
Weight	46.75 kg
Weight unit	kg/100 pc.

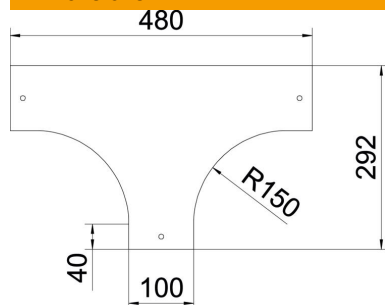
# Technical data sheet

## Cover for horizontal tee FS

Item number: 6480491



### Dimensions



Width	100 mm
Plate thickness	1 mm
Dimension B	100 mm
Dimension d min.	8 mm

### Technical data

Fastening type	On top
Suitable for cable ladder	no
Suitable for cable tray	yes
Material thickness	1 mm
Rustproof steel, pickled	no
Wide-span version	no