

Technical data sheet

Cover for 90° bend, horizontal FS

Item number: 6483152



Lock-on cover for the 90° bend.
The cover can be used with fittings of all side heights.



St Steel

FT Hot-dip galvanised

Master data

| | |
|---------------------|--------------------|
| Item number | 6483152 |
| Type | GKSDB 90 150 FT |
| Description 1 | 90° bend cover |
| Description 2 | horizontal |
| Manufacturer | OBO |
| Dimension | B150mm |
| Material | Steel |
| Surface | Hot-dip galvanised |
| Surface standard | DIN EN ISO 1461 |
| Smallest sales unit | 1 |
| Unit of quantity | Piece |
| Weight | 63.58 kg |
| Weight unit | kg/100 pc. |

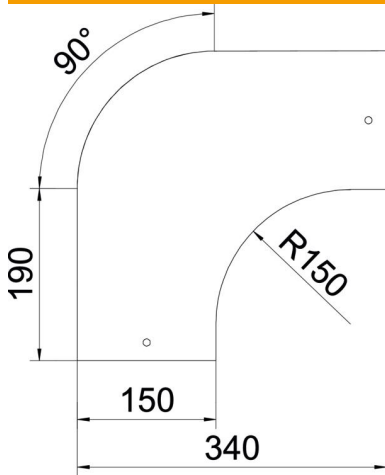
Technical data sheet

Cover for 90° bend, horizontal FS

Item number: 6483152



Dimensions



| | |
|-----------------|--------|
| Width | 150 mm |
| Plate thickness | 1 mm |
| Dimension B | 150 mm |
| Dimension D | 8 mm |

Technical data

| | |
|-------------------------------|------------|
| Bend (angle) | 90° |
| Fastening type | Sash lock |
| Maintain electrical functions | no |
| Suitable for mesh cable tray | no |
| Suitable for cable ladder | yes |
| Suitable for cable tray | yes |
| Change of direction | Horizontal |
| Rustproof steel, pickled | no |
| Hinged | no |