

# Technical data sheet

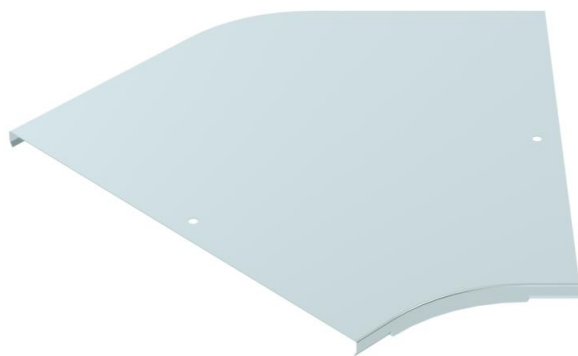
## Cover for 45° bend, horizontal FS

Item number: 6480195



Lock-on cover for the 45° bend.

The cover can be used with fittings of all side heights.



- St** Steel
- FS** Strip galvanized

### Master data

Item number	6480195
Type	GKSDB 45 400 FS
Description 1	45° bend cover
Description 2	horizontal
Manufacturer	OBO
Dimension	B400mm
Material	Steel
Surface	Strip galvanized
Surface standard	DIN EN 10346
Smallest sales unit	1
Unit of quantity	Piece
Weight	102 kg
Weight unit	kg/100 pc.

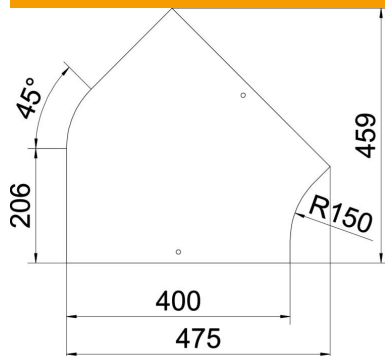
# Technical data sheet

## Cover for 45° bend, horizontal FS

Item number: 6480195



### Dimensions



Width	400 mm
Dimension B	400 mm
Dimension D	8 mm

### Technical data

Bend (angle)	45°
Fastening type	Locking
Maintain electrical functions	no
Suitable for mesh cable tray	no
Suitable for cable ladder	no
Suitable for cable tray	yes
Change of direction	Horizontal
Rustproof steel, pickled	no
Hinged	no