

Technical data sheet

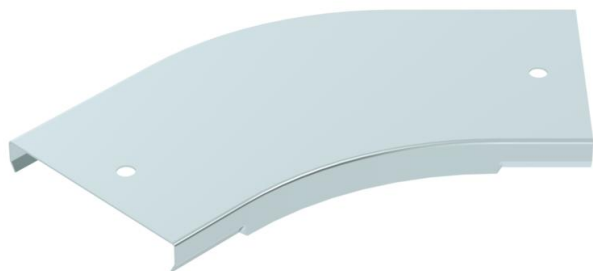
Cover for 45° bend, horizontal FS

Item number: 6480191



Lock-on cover for the 45° bend.

The cover can be used with fittings of all side heights.



- St** Steel
- FS** Strip galvanized

Master data

Item number	6480191
Type	GKSDB 45 100 FS
Description 1	45° bend cover
Description 2	horizontal
Manufacturer	OBO
Dimension	B100mm
Material	Steel
Surface	Strip galvanized
Surface standard	DIN EN 10346
Smallest sales unit	1
Unit of quantity	Piece
Weight	25.5 kg
Weight unit	kg/100 pc.

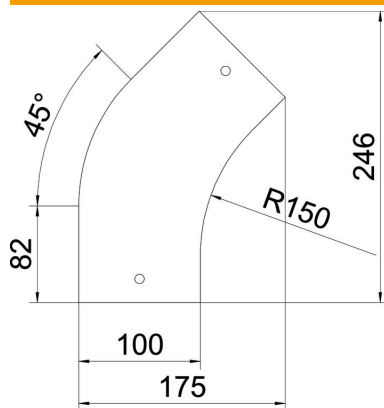
Technical data sheet

Cover for 45° bend, horizontal FS

Item number: 6480191



Dimensions



Width	100 mm
Dimension B	100 mm
Dimension D	8 mm

Technical data

Bend (angle)	45°
Fastening type	Locking
Maintain electrical functions	no
Suitable for mesh cable tray	no
Suitable for cable ladder	no
Suitable for cable tray	yes
Change of direction	Horizontal
Rustproof steel, pickled	no
Hinged	no