

# Technical data sheet

45° bend 60 FT, horizontal

Item number: 6483164



45° bend, horizontal, for all cable tray types of the series GKS... of 60 mm side height.



**St** Steel

**FT** Hot-dip galvanised

## Master data

Item number	6483164
Type	GKSB 45 630 FT
Description 1	45° bend
Description 2	horizontal
Manufacturer	OBO
Dimension	60x300
Material	Steel
Surface	Hot-dip galvanised
Surface standard	DIN EN ISO 1461
Smallest sales unit	1
Unit of quantity	Piece
Weight	149.05 kg
Weight unit	kg/100 pc.

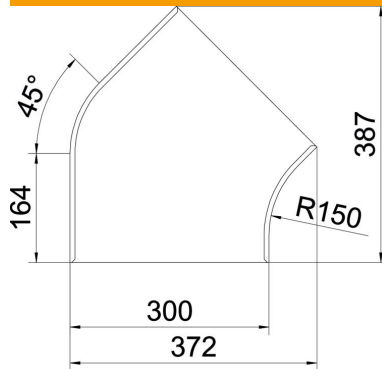
# Technical data sheet

45° bend 60 FT, horizontal

Item number: 6483164



## Dimensions



Width	300 mm
Height	60 mm
Dimension A	390 mm
Dimension B	300 mm

## Technical data

Bend (angle)	45°
Connector version	Without connectors
Maintain electrical functions	no
Mounting perforation in base	no
NATO hole pattern	no
Change of direction	Horizontal
Rustproof steel, pickled	no
Side perforation	no
Wide-span version	no
Type of connector, cable support system	Screwed