

# Technical data sheet

External corner, for device installation trunking Rapid 45-2  
type GK-53130

Item number: 6113222



External corner 90° for changing the direction of Rapid 45-2 device installation trunking.



**PVC** Polyvinylchloride

## Master data

Item number	6113222
Type	GK-AS53130LGR
Description 1	External corner
Description 2	rigid form
Manufacturer	OBO
Dimension	190x190x130
Colour	Light grey; RAL 7035
Material	Polyvinylchloride
Smallest sales unit	1
Unit of quantity	Piece
Weight	56.2 kg
Weight unit	kg/100 pc.

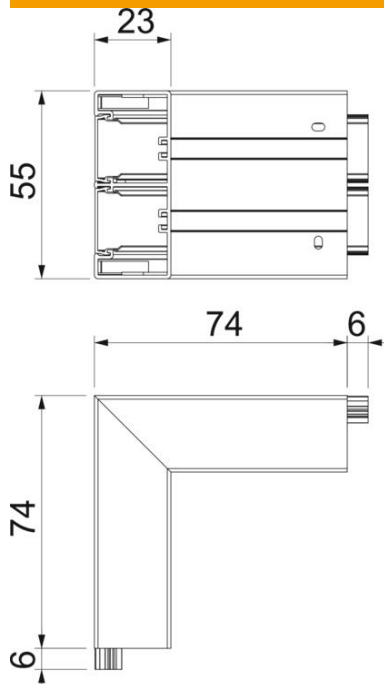
# Technical data sheet

External corner, for device installation trunking Rapid 45-2  
type GK-53130

Item number: 6113222



## Dimensions



Length	74 mm
Width	130 mm
Height	53 mm

## Technical data

Number of covers	2
Version for for duct width	Base and cover 130 mm
for trunking height	53 mm
Halogen-free	no
Cable retaining clip	no
Duct connector	no
Cover mounting type	Internal
Mounting perforation in base	yes
Cover width	45 mm
Cover width 2	45 mm
Cover width 3	0 mm
Protection rating	IP40
Protective film	yes
Protection rating IK code	IK08
Symmetrical	yes
Permitted temperature range, max.	60 °C
Permitted temperature range, min.	-15 °C
Angle range, max.	90 mm
Angle range, min.	90 mm