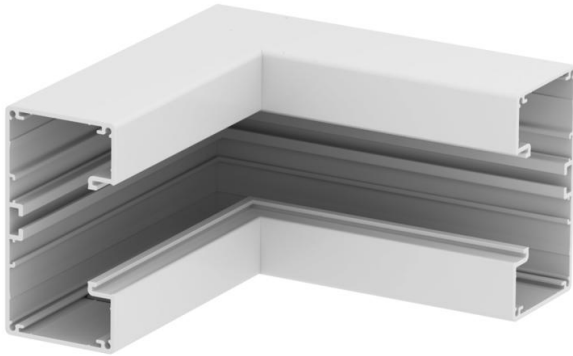


Technical data sheet

Internal corner, for device installation trunking Rapid 45-2
type GA-53100

Item number: 6112430



Corner 90° aluminium for changing the direction of device installation trunking
Rapid 45-2 GA...

Note:

For anodised device installation trunking and fittings made from aluminium, light colour differences caused by permitted scatter due to the material and process conditions cannot be avoided (according to DIN 17 611). The 45 mm devices can be clicked in directly. When using PC/ABS hood fittings, there may be colour differences due to the different materials.



Alu Aluminium

Master data

Item number	6112430
Type	GA-IS53100RW
Description 1	Internal corner
Description 2	Aluminium, rigid form
Manufacturer	OBO
Dimension	53x100x175
Colour	Pure white; RAL 9010
Material	Aluminium
Smallest sales unit	1
Unit of quantity	Piece
Weight	69.2 kg
Weight unit	kg/100 pc.

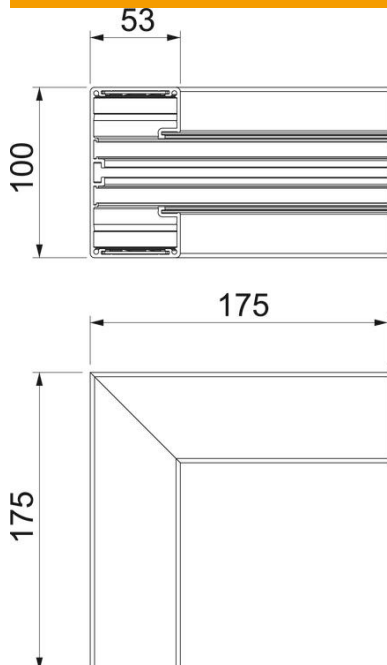
Technical data sheet

Internal corner, for device installation trunking Rapid 45-2
type GA-53100

Item number: 6112430



Dimensions



Length	175 mm
Width	100 mm
Height	53 mm

Technical data

Number of covers	1
Version for	Base
Shape	Symmetrical
Halogen-free	yes
Cable retaining clip	no
Duct connector	no
Cover mounting type	Internal
Mounting perforation in base	no
Cover width	45 mm
Protection rating	IP30
Protective film	yes
Protection rating IK code	IK10
Permitted temperature range, max.	60 °C
Permitted temperature range, min.	-15 °C
Angle range, min.	90 mm