

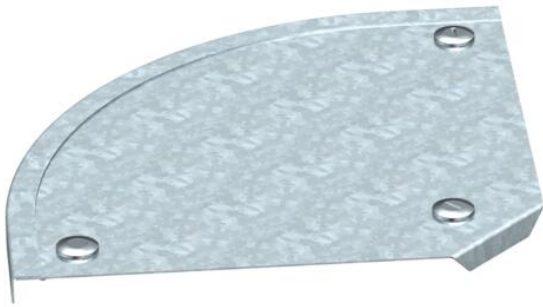
Technical data sheet

Lid for 90° bend FT

Item number: 7132026



Cover for 90° bend with premounted turn buckles.
The cover can be used with fittings of all side heights.

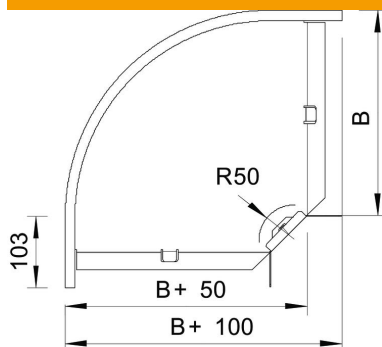


- St** Steel
- FT** Hot-dip galvanised

Master data

Item number	7132026
Type	DFB 90 300 FT
Description 1	90° bend cover
Description 2	with turn-buckles, RB 90 300
Manufacturer	OBO
Dimension	B300mm
Material	Steel
Surface	Hot-dip galvanised
Surface standard	DIN EN ISO 1461
Smallest sales unit	1
Unit of quantity	Piece
Weight	106.9 kg
Weight unit	kg/100 pc.

Dimensions



Width	300 mm
Height	35 mm
Plate thickness	1 mm
Dimension B	300 mm

Technical data sheet

Lid for 90° bend FT

Item number: 7132026



Technical data

Bend (angle)	90°
Number of turn buckles	3 St.
Fastening type	Sash lock
Maintain electrical functions	no
Suitable for mesh cable tray	no
Suitable for cable ladder	yes
Suitable for cable tray	yes
Change of direction	Horizontal
Rustproof steel, pickled	no
Hinged	no