

Technical data sheet

Cover for 90° vertical bend 110, falling, FS

Item number: 7131034



Cover for falling vertical bends of side height 110 mm.
The fastening is guaranteed by the overlap of the cable tray covers. The cover can also be fastened using cover clamps.



St Steel

FS Strip galvanized

Master data

Item number	7131034
Type	DBV 110 200 F FS
Description 1	Cover for 90° vertical bend
Description 2	falling
Manufacturer	OBO
Dimension	B200mm
Material	Steel
Surface	Strip galvanized
Surface standard	DIN EN 10346
Smallest sales unit	1
Unit of quantity	Piece
Weight	56.2 kg
Weight unit	kg/100 pc.

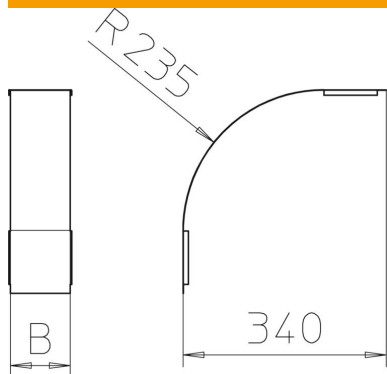
Technical data sheet

Cover for 90° vertical bend 110, falling, FS

Item number: 7131034



Dimensions



Width	200 mm
Width	8 in
Height	110 mm
Plate thickness	0.03 in
Plate thickness	0.75 mm
Dimension B	200 mm

Technical data

Bend (angle)	90°
Fastening type	Sash lock
Maintain electrical functions	no
Suitable for mesh cable tray	no
Suitable for cable ladder	no
Suitable for cable tray	yes
Change of direction	Vertical, falling
Rustproof steel, pickled	no
Hinged	no