

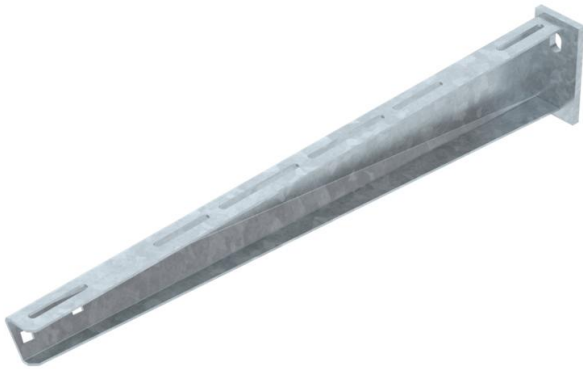
Technical data sheet

Wall and support bracket AW 30 FT

Item number: 6419828



Medium-duty wall and support bracket with welded head plate.
Fastening of the bracket to the U support of width 400 mm or greater using a hexagonal bolt through both sides of the support. Please insert suitable spacers.



- St** Steel
- FT** Hot-dip galvanised

Master data

Item number	6419828
Type	AW 30 61 FT
Description 1	Wall and Support bracket
Description 2	with welded head plate
Manufacturer	OBO
Dimension	B610mm
Material	Steel
Surface	Hot-dip galvanised
Surface standard	DIN EN ISO 1461
Smallest sales unit	1
Unit of quantity	Piece
Weight	157 kg
Weight unit	kg/100 pc.

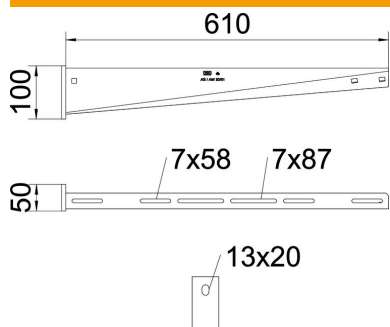
Technical data sheet

Wall and support bracket AW 30 FT

Item number: 6419828



Dimensions

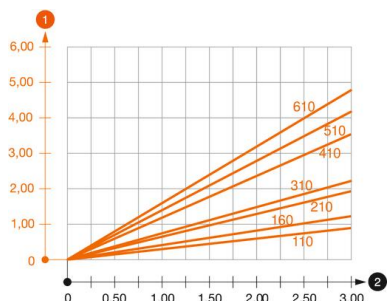


Width	610 mm
Height	100 mm
Dimension A	50 mm
Dimension B	610 mm
Dimension H	100 mm
Dimension L	610 mm

Technical data

Version for	Wall and support bracket
EPD article	yes
F in kN	3 kN
Maintain electrical functions	no
Hole diameter	13 mm
Rustproof steel, pickled	no
Angle range, max.	90 mm
Angle range, min.	90 mm

Loads



Load diagram, bracket, type AW 30

- 1** Bending of the bracket tip at permitted bracket load
- 2** Permitted bracket load in kN without man load
- Load curve with bracket lengths in mm

Characteristic anchor load values for wall and support bracket AW 30

Anchor type	Wall fastening									
	Max. load [kN]									
	Bracket width [mm]									
	110	160	210	310	410	510	560	610	710	
BZ3 10x90/0-30	3.00	2.10	-	-	-	-	-	-	-	-
BZ3 12x110/0-35	-	-	3.00	2.71	2.07	2.02	1.98	1.98	1.51	

Die angegebenen Werte basieren auf ungerissenen Beton der Festigkeitsklasse C20/25. Die Einbaubedingungen der ETA-Zulassung (Dübel) sind zu beachten!