

# Technical data sheet

## Wall and support bracket AW 15 A2

Item number: 6421032



Light-duty wall and support bracket with welded head plate.  
Fastening of the bracket to the U support of width 400 mm or greater using a hexagonal bolt through both sides of the support. Please insert suitable spacers.



**A2** Stainless steel

**2B** Bright, treated

### Master data

Item number	6421032
Type	AW 15 31 A2
Description 1	Wall and support bracket
Description 2	with welded head plate
Manufacturer	OBO
Dimension	B310mm
Material	Stainless steel
Surface	Bright, treated
Surface standard	
Smallest sales unit	1
Unit of quantity	Piece
Weight	38.2 kg
Weight unit	kg/100 pc.

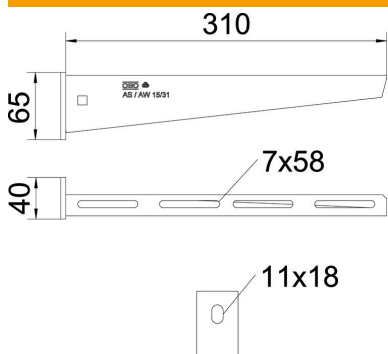
# Technical data sheet

## Wall and support bracket AW 15 A2



Item number: 6421032

### Dimensions

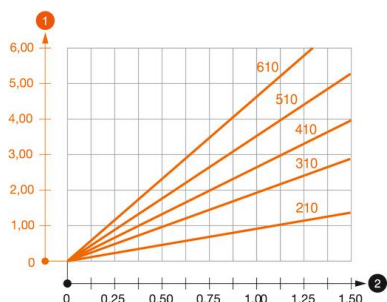


Length	310 mm
Width	40 mm
Height	65 mm
Dimension A	40 mm
Dimension B	310 mm
Dimension H	65 mm

### Technical data

Version for	Wall and support bracket
F in kN	1.5 kN
Maintain electrical functions	no
Hole diameter	11 mm
Rustproof steel, pickled	yes
Angle range, max.	90 mm
Angle range, min.	90 mm

### Loads



#### Load diagram, bracket, type AW 15

- 1** Bending of the bracket tip at permitted bracket load
- 2** Permitted bracket load in kN without man load
- Load curve with bracket lengths in mm

### Characteristic anchor load values for wall bracket AW 15

Anchor type	Wall fastening					
	Max. load [kN]					
	Bracket width [mm]					
	110	160	210	310	410	510
BZ3 10x90/0-30	1.5	1.5	1.5	1.47	1.25	1.13

Die angegebenen Werte basieren auf ungerissenen Beton der Festigkeitsklasse C20/25. Die Einbaubedingungen der ETA-Zulassung (Dübel) sind zu beachten!