

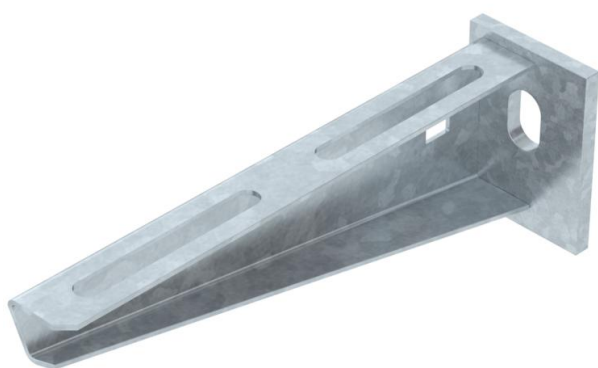
Technical data sheet

Wall and support bracket AW 15 FT

Item number: 6420664



Light-duty wall and support bracket with welded head plate.
Fastening of the bracket to the U support of width 400 mm or greater using a hexagonal bolt through both sides of the support. Please insert suitable spacers.



St Steel

FT Hot-dip galvanised

Master data

| | |
|---------------------|--------------------------|
| Item number | 6420664 |
| Type | AW 15 16 FT |
| Description 1 | Wall and support bracket |
| Description 2 | with welded head plate |
| Manufacturer | OBO |
| Dimension | B160mm |
| Material | Steel |
| Surface | Hot-dip galvanised |
| Surface standard | DIN EN ISO 1461 |
| Smallest sales unit | 1 |
| Unit of quantity | Piece |
| Weight | 20 kg |
| Weight unit | kg/100 pc. |

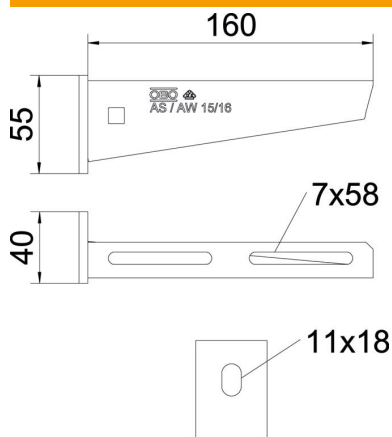
Technical data sheet

Wall and support bracket AW 15 FT

Item number: 6420664



Dimensions

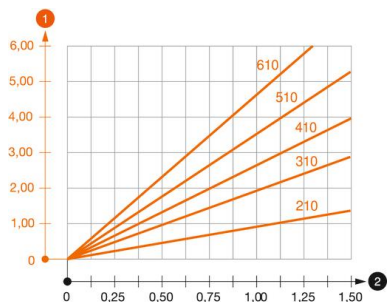


| | |
|-------------|---------|
| Length | 160 mm |
| Width | 40 mm |
| Width | 6 in |
| Height | 55 mm |
| Height | 2.17 in |
| Dimension A | 40 mm |
| Dimension B | 160 mm |
| Dimension H | 55 mm |
| Maß W | 160 mm |

Technical data

| | |
|-------------------------------|--------------------------|
| Version for | Wall and support bracket |
| EPD article | yes |
| F in kN | 1.5 kN |
| Maintain electrical functions | yes |
| Hole diameter | 11 mm |
| Rustproof steel, pickled | no |
| Angle range, max. | 90 mm |
| Angle range, min. | 90 mm |

Loads



Load diagram, bracket, type AW 15

- 1 Bending of the bracket tip at permitted bracket load
- 2 Permitted bracket load in kN without man load
- Load curve with bracket lengths in mm

Characteristic anchor load values for wall bracket AW 15

| Anchor type | Wall fastening | | | | | | | |
|----------------|--------------------|-----|-----|------|------|------|------|------|
| | Max. load [kN] | | | | | | | |
| | Bracket width [mm] | | | | | | | |
| | 110 | 160 | 210 | 310 | 410 | 510 | 560 | 610 |
| BZ3 10x90/0-30 | 1.5 | 1.5 | 1.5 | 1.47 | 1.25 | 1.13 | 0.95 | 0.94 |

Die angegebenen Werte basieren auf ungerissenen Beton der Festigkeitsklasse C20/25. Die Einbaubedingungen der ETA-Zulassung (Dübel) sind zu beachten!