

Technical data sheet

Spacer clip 732 A2

Item number: 1362636



Spacer clip for the installation of pipes and cables on walls, ceiling and floors. With self-locking upper part. Surfaces G and FT from a clip size of 20 are suitable for installation with a nail device or a bolt-firing tool.

Approved for the maintenance of electrical function according to DIN 4102 Part 12, maintenance of electrical function classes E30 to E90.



A2 Stainless steel

Master data

| | |
|---------------------|-----------------------------|
| Item number | 1362636 |
| Type | ASG 732 20 A2 |
| Description 1 | Distance saddle |
| Description 2 | with threaded connection M6 |
| Manufacturer | OBO |
| Dimension | 17-20mm |
| Material | Stainless steel |
| Smallest sales unit | 25 |
| Unit of quantity | Piece |
| Weight | 2.11 kg |
| Weight unit | kg/100 pc. |

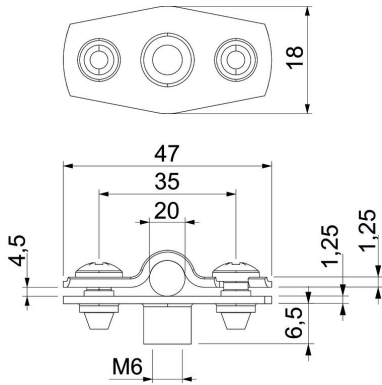
Technical data sheet

Spacer clip 732 A2

Item number: 1362636



Dimensions



| | |
|-------------------|--------|
| Dimension A | 47 mm |
| Dimension B | 35 mm |
| Dimension b | 18 mm |
| Dimension D | 20 mm |
| Dimension d max. | 20 mm |
| Dimension d min. | 17 mm |
| Dimension H1 | 12 mm |
| Dimension t1 (mm) | 1.25 |
| Dimension t2 (mm) | 1.25 |
| Dimension x | 4.5 mm |

Technical data

| | |
|----------------------------------|---------|
| Distance to the wall | yes |
| Number of cables/pipes | 1 |
| Version for | Closed |
| For diameter | 17 - 20 |
| Suitable in fire protection area | yes |
| Halogen-free | yes |
| Plastic-covered | no |
| Material thickness | 1.25 mm |
| Clamping range D, max. | 20 mm |
| Clamping range D, min. | 17 mm |
| UV-resistant | yes |