

Technical data sheet

Spacer clip 732 A4

Item number: 1362464



Spacer clip for the installation of pipes and cables on walls, ceilings and floors. With self-locking cover. Fastening via attachment piece with internal thread.

Approved for the maintenance of electrical function according to DIN 4102 Part 12, maintenance of electrical function classes E 30 to E 90.



A4 Stainless steel

Master data

Item number	1362464
Type	ASG 732 14 A4
Description 1	Distance saddle
Description 2	with threaded connection M6
Manufacturer	OBO
Dimension	12-14mm
Material	Stainless steel
Smallest sales unit	25
Unit of quantity	Piece
Weight	1.885 kg
Weight unit	kg/100 pc.

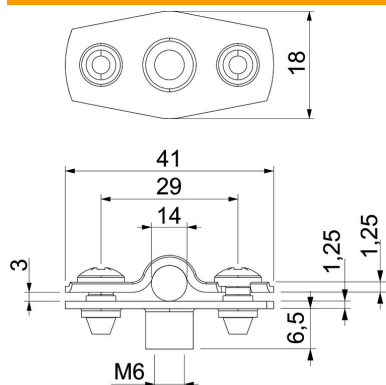
Technical data sheet

Spacer clip 732 A4

Item number: 1362464



Dimensions



Dimension A	41 mm
Dimension B	29 mm
Dimension b	18 mm
Dimension D	14 mm
Dimension d max.	14 mm
Dimension d min.	12 mm
Dimension H1	12 mm
Dimension t1 (mm)	1.25
Dimension t2 (mm)	1.25
Dimension x	3 mm

Technical data

Distance to the wall	yes
Number of cables/pipes	1
Version for	Closed
Fastening type	Threaded connection
For diameter	12 - 14
Suitable in fire protection area	yes
Halogen-free	yes
Plastic-covered	no
Material thickness	1.25 mm
Clamping range D, max.	14 mm
Clamping range D, min.	12 mm
UV-resistant	yes