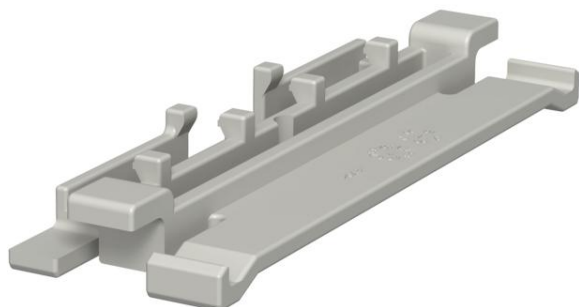


# Technical data sheet

## Cover clip for WDK trunking, trunking width 110 mm

Item number: 6023517



Cover clip for better and easier laying of lines in the WDK trunking. The cover fixing device can be moved along the entire length of the trunking. The cover clip is locked on one side and moved forward. This provides a 30° opening, meaning that cable routing is very simple. From trunking widths of 110 mm, the cover clips can also be used as a mounting aid.

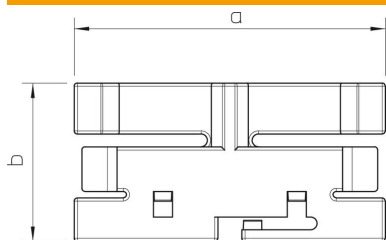


**PVC** Polyvinylchloride

### Master data

Item number	6023517
Type	2370 110
Description 1	Cover fixing device
Manufacturer	OBO
Dimension	110mm
Colour	Light grey; RAL 7035
Material	Polyvinylchloride
Smallest sales unit	20
Unit of quantity	Piece
Weight	1.4 kg
Weight unit	kg/100 pc.

### Dimensions



Length	28.8 mm
Width	95.7 mm
Dimension a	95.7 mm
Dimension b	28.8 mm

### Technical data

Fastening type	Lockable
Maintain electrical functions	no
Halogen-free	no
With equipotential bonding	no
Cover width	110 mm

# Technical data sheet

Cover clip for WDK trunking, trunking width 110 mm

Item number: 6023517



## Technical data

Protection rating	IP30
Protection rating IK code	IK04
Self-extinguishing	yes
Permitted temperature range, max.	60 °C
Permitted temperature range, min.	-5 °C